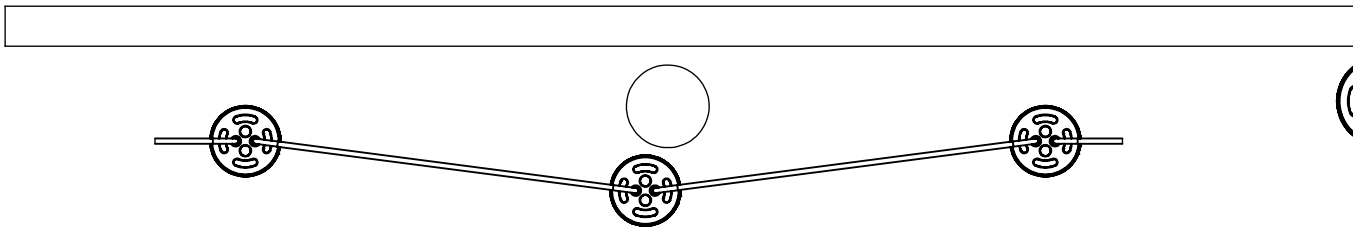
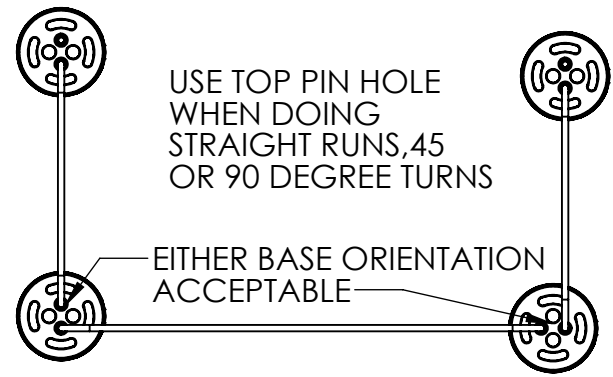


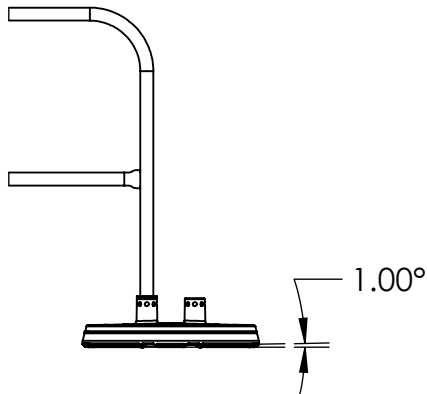
NON STRAIGHT RUNS ARE ACCEPTABLE



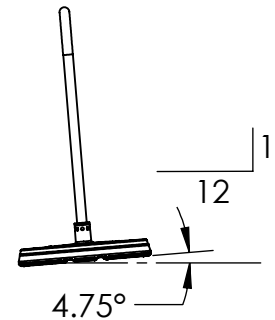
ALWAYS TERMINATE RAIL RUNS WITH A 5' "KICKER"



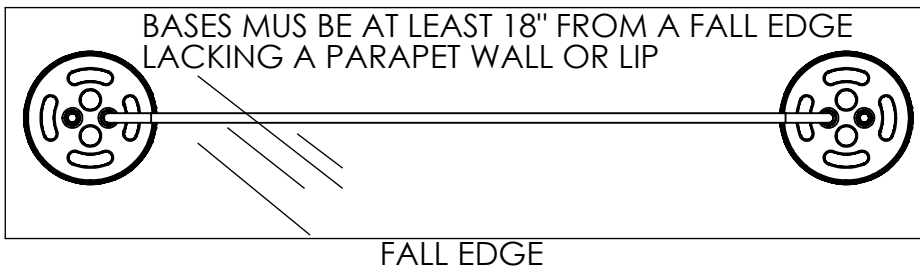
NON-LEVEL SURFACES OK: BASE WILL ALLOW A SMALL AMOUNT OF SWIVEL
ENSURE BASE MAKES FULL CONTACT WITH SURFACE



DO NOT INSTALL ON SURFACES SLOPING GREATER THAN 1/12 PITCH



DO NOT INSTALL ON SLIPPERY SURFACES SUCH AS METAL OR BARE CONCRETE
CLEAN ALL OILS AND PARTICULATES (SAND, DUST, ETC...) FROM SURFACE BEFORE PLACING BASES



TITLE:
SRC MOBILE
FALL PROTECTION
ACCEPTABLE INSTALLATION

WHERE RIVER ROCK IS PRESENT: THE ROCK MUST BE CLEARED AWAY AND BASES TO BE PLACED DIRECTLY ON THE ROOF SURFACE.

Safety Rail Company LLC.
4244 Shoreline Dr.
P.O. Box 427
Spring Park, MN 55384

Toll Free: 888-434-2720
Tel: 952-471-0950
Fax: 888-471-4931
www.safetyrailcompany.com
info@safetyrailcompany.com

SIZE A	DWG. NO.	REV
SCALE: 1:96	WEIGHT:	SHEET 1 OF 1