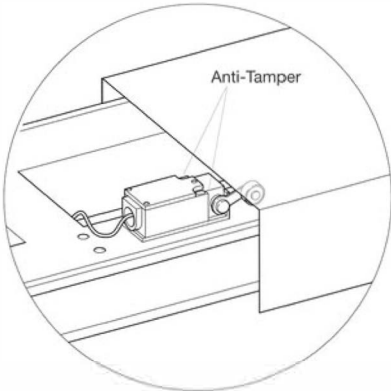


**TECHNICAL DATA:**

**SECURVUE SLIDING LATHE  
CHUCKGUARD SA-1 SMALL**



Chuck  $\varnothing$  is for guidance only.

Support configuration can be  
manufactured to suit  
individual machines.

